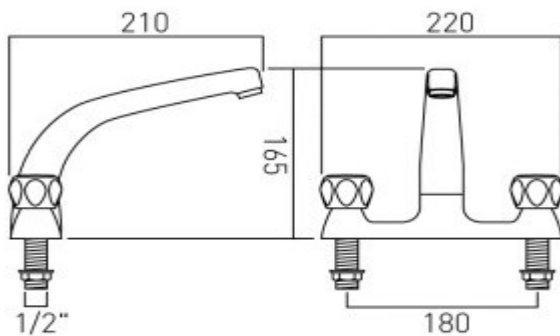




technical drawing:



description: 2 hole sink mixer
deck mounted
with swivel spout
with water flow straightener
cold ceramic cartridge AST-VALVE/CD/CL-1/2
hot ceramic cartridge AST-VALVE/CD/HT-1/2
1/2" x 50mm threaded tail connections
deck mount drill hole diameter 22mm

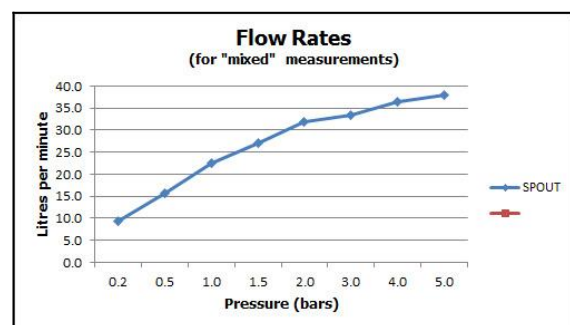
finishes: chrome

 recommended flow regulator product code: FR-106/4-PLA

guarantee: 12 year guarantee

minimum operating pressure: 0.2 bar LP

flow rate at 3.0 bar flow pressure: 33 l/min



'mixed measurements' refers to equal hot and cold water supply
flow rate for unregulated flow unless flow regulator fitted as standard

certificates and awards:



cert no. 1212028

VADO wedmore road cheddar somerset england bs27 3eb
tel 01934 744466 fax 01934 744345 sales@vado-uk.com www.vado-uk.com