

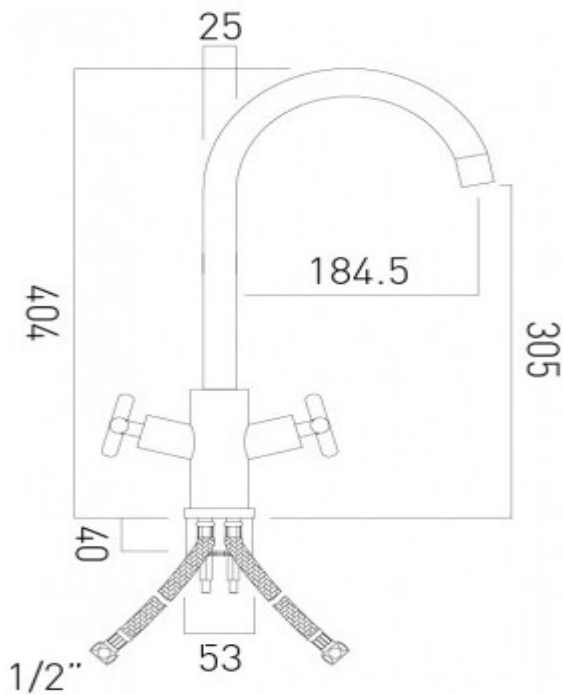


where inspiration flows
taps | showering | accessories

technical sheet
product code: CUC-1063-S/S



technical drawing:



description: elements steel
mono sink mixer
single lever
deck mounted
with swivel spout

finishes: stainless steel

 recommended flow regulator product code: FR-100/5-PLA

guarantee: 12 year guarantee

minimum operating pressure: 0.2 bar LP

certificates and awards:



cert no. 1707364